

**Ecostat 1001 CL**  
**Shower thermostat for exposed installation**  
 Finish: **Chrome** Article Number: **13211000**



## Description

### product features

- 1 function
- EcoStop button limits the water consumption to 10 l/min
- thermostat cartridge, ceramic valve 180°
- maximum flow rate at 3 bar: 16 l/min
- min. operating pressure: 1 bar
- max. operating pressure: 10 bar
- Safety stop at 40 °C
- temperature limitation adjustable
- non-return valve
- with silencer
- suitable for continuous flow water heaters
- material handles: metal
- centre distance: 150 ± 12 mm
- connection dimension: DN15
- connection type: S-connections, G 1/2
- dirt filter included

## Technology



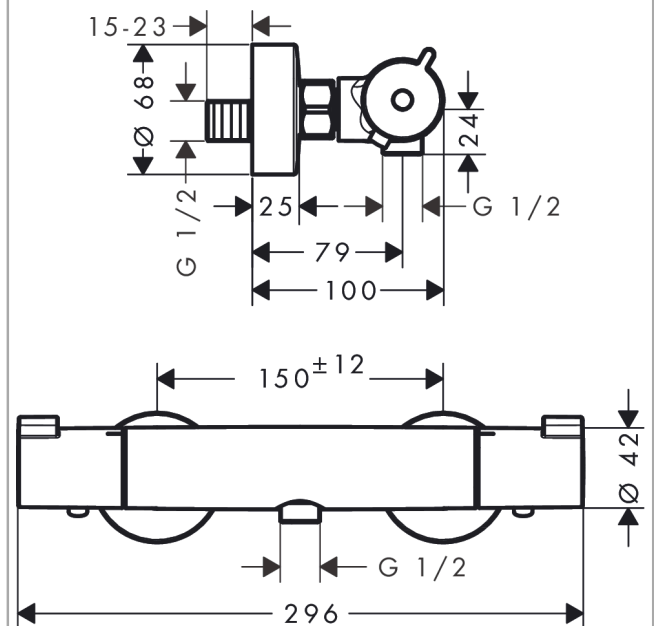
## Certificates / Sustainability



## Product image



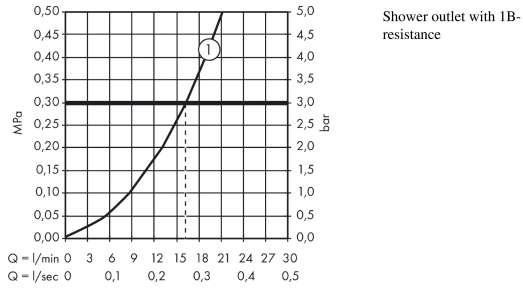
## Scale drawing



**Ecostat 1001 CL**  
**Shower thermostat for exposed installation**  
 Finish: **Chrome** Article Number: **13211000**



**Flowchart**

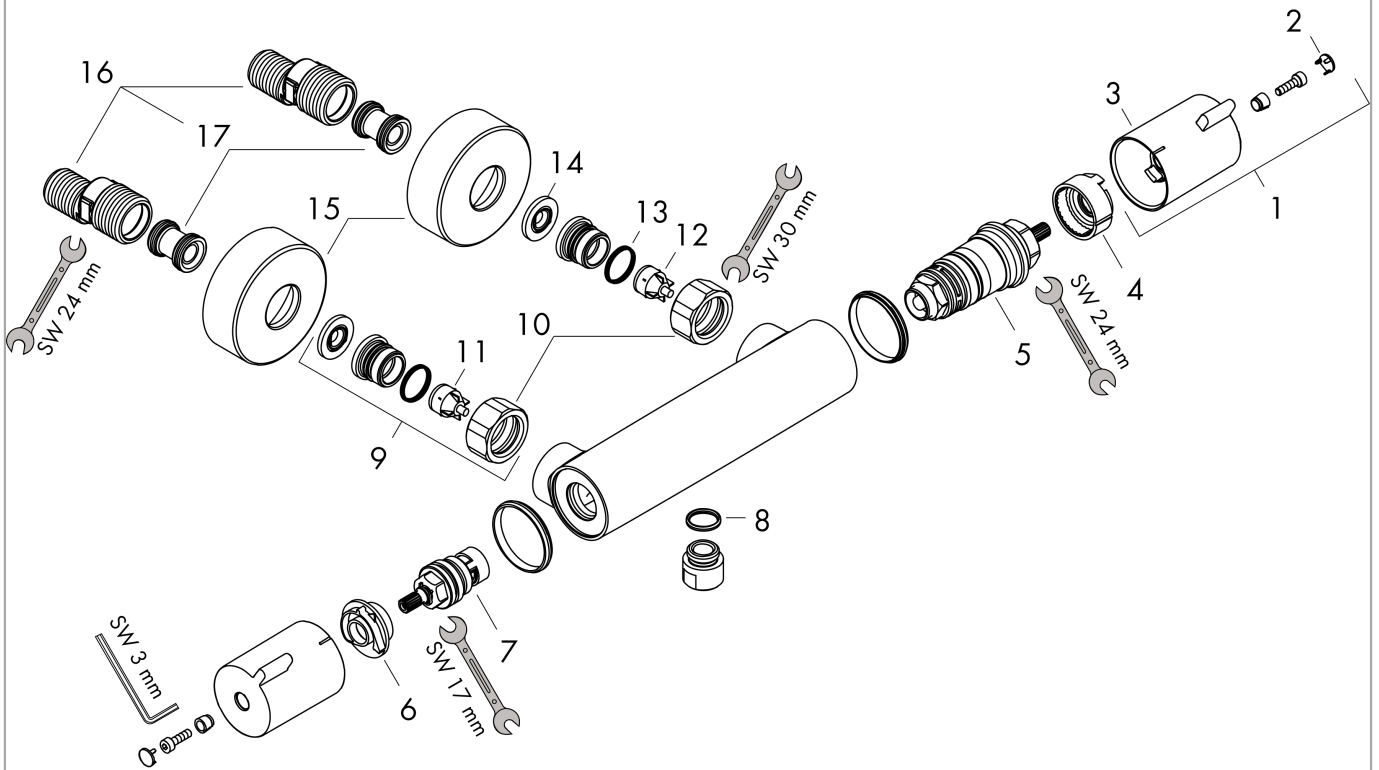


**Ecostat 1001 CL**  
**Shower thermostat for exposed installation**  
 Finish: **Chrome** Article Number: **13211000**



**Exploded Drawing**

Year of production: >09/19



**Ecostat 1001 CL**  
**Shower thermostat for exposed installation**  
 Finish: **Chrome** Article Number: **13211000**



## Spare part list

Year of production: >09/19

Pos.	Description	Article Number	PC	PU
1	handle	92836000	9	1
2	cover cap	95433000	2	1
3	pushbutton	92848000	2	1
4	safety set for temperature control	95041000	5	1
5	thermostat cartridge	94282000	15	1
6	safety set for flow control	95042000	5	1
7	shut off unit	94149000	8	1
8	O-ring 14x2	98129000	1	1
9	set of unions	94285000	99	1
10	set of nuts	96157000	8	1
11	non return valve (pressure-resistant up to 2 MPa)	93136000	8	1
12	non return valve	96737000	8	1
13	O-ring 17x1,5	98137000	1	1
14	filter packing	96922000	3	1
15	escutcheon Ø 68 mm	96467000	6	1
16	noise reduction	96429000	2	1
17	set of S-unions (±12 mm)	94140000	10	1